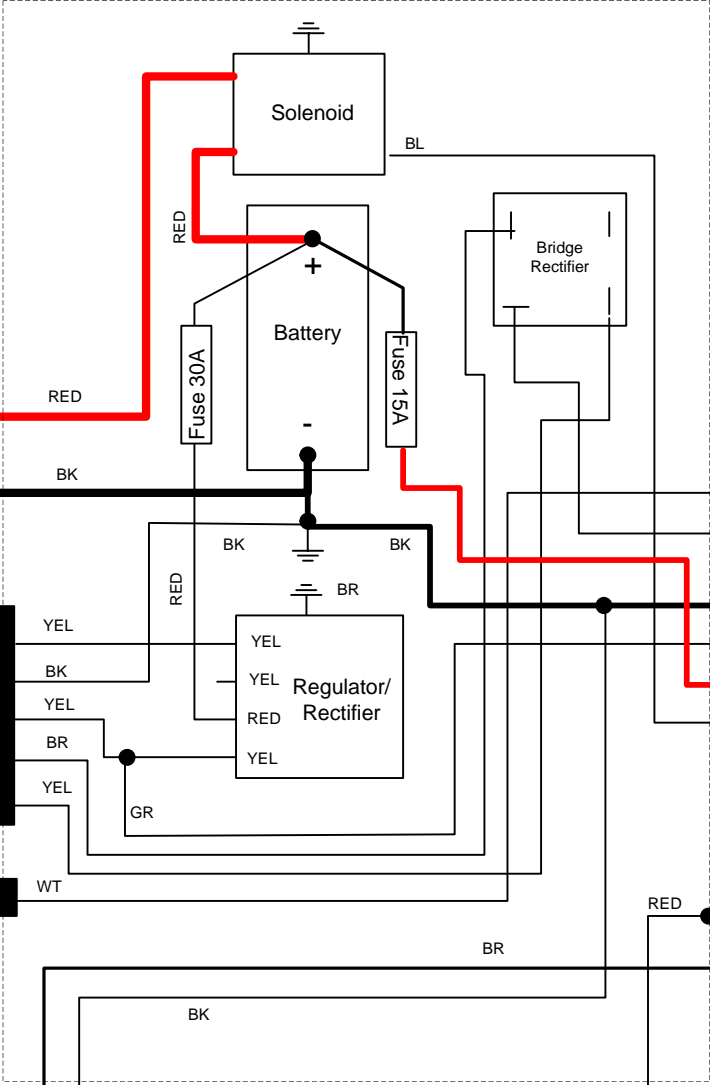
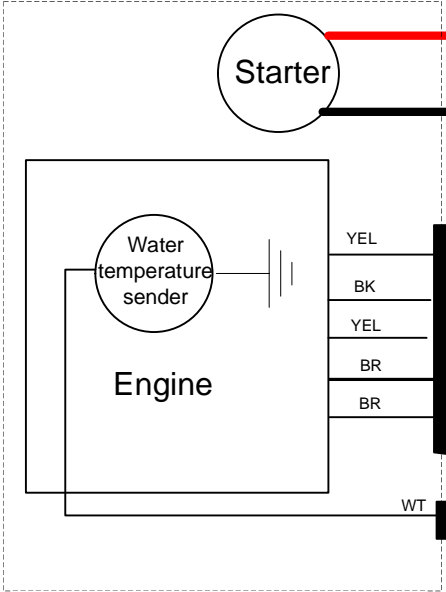


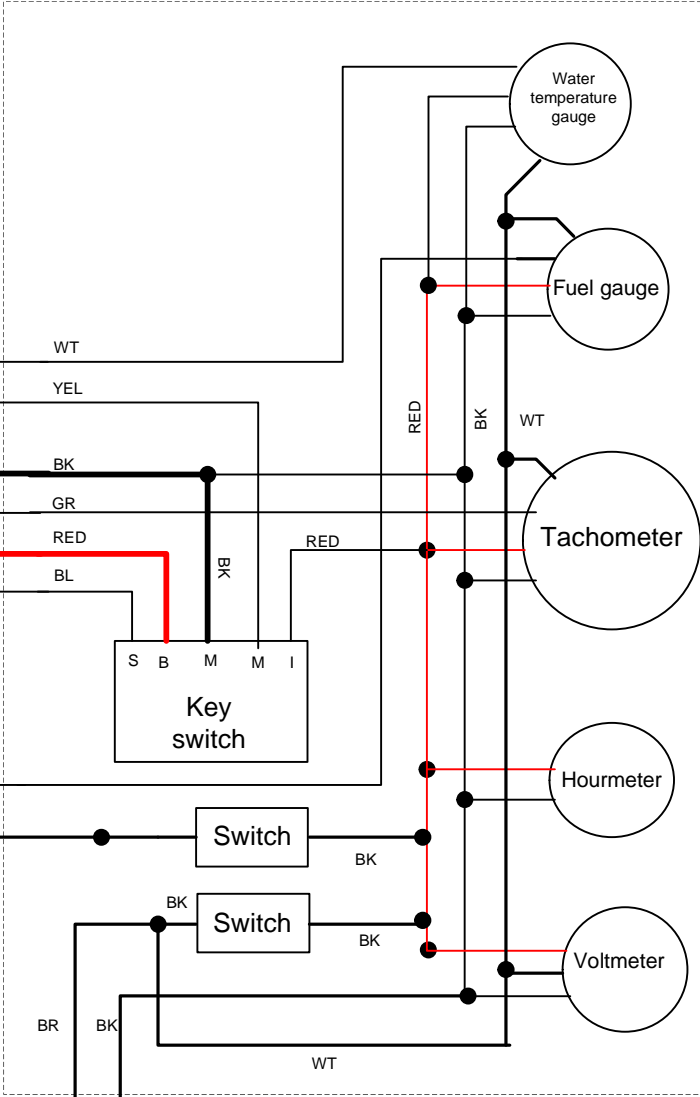
Note:  
 Black on the 7 core loom from the dash to the rear compartment is spare.  
 Brown to bilge pump if fitted

# WIRING DIAGRAM 3701 Hirth Dual Ignition

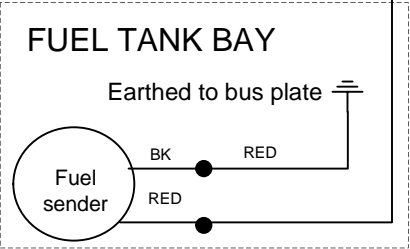
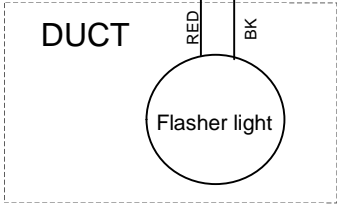
## ENGINE BAY



## SEAT COMPARTMENT



- LEGEND**  
 GY - Grey  
 BK - Black  
 RED - Red  
 WT - White  
 GR - Green  
 YEL - Yellow  
 BR - Brown  
 BL - Blue  
 ● - Join  
 ┃ - Plug



Navigation lights